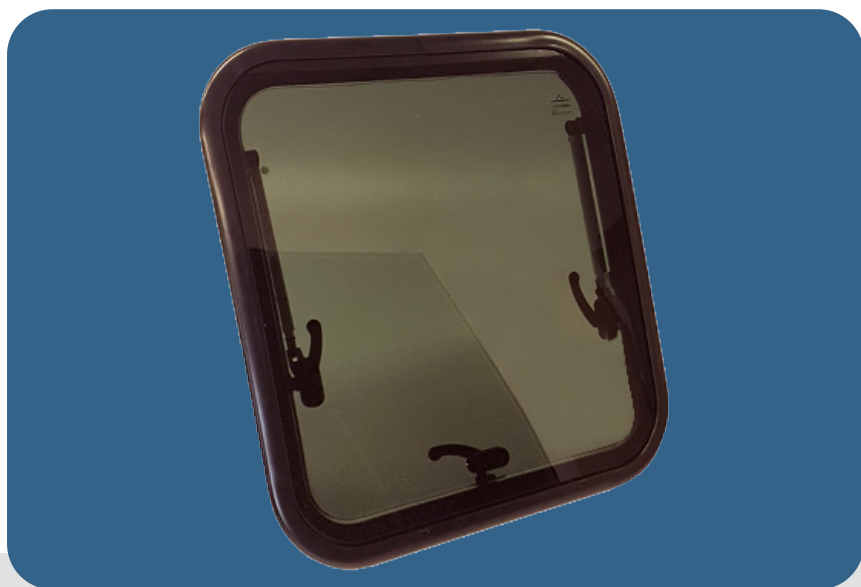


# Installation Manual

*R5000 Windows (Curved)*



  
HORREX



# Table of Contents

	Package contents	6
1	Explanation of symbols	7
2	Product Options	7
3	Safety instructions	8
4	Usage situations	9
5	Product installation	10
5.1	<i>Installation instructions</i>	10
5.2	<i>Making a hole for the window</i>	10
5.3	<i>Placing the window</i>	11
5.4	<i>Use</i>	11
6	Warrantey	24
7	Recycling	24
8	Technical data	25



# Contents

PRODUCT



PARTS

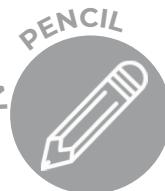
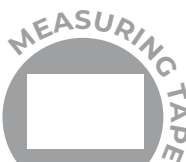
SCREWS



BRACES



TOOLS



# 1

## Symbols



### **Warning!**

*Not following or incorrectly following these instructions can lead to serious injuries.*



### **Note!**

*Not following or incorrectly following these instructions can lead to damage or reduced functionality of the product.*



### **Info**

*Additional information about the product.*

# 2

## Product options

### **Product variations**

Available in 8 sizes. Aluminum profile in black.

280 x 380 mm                      750 x 465 mm

290 x 500 mm                      818 x 315 mm

560 x 465 mm                      960 x 450 mm

700 x 510 mm                      985 x 465 mm

# 3

## Safety instructions

**Please follow the prescribed safety instructions from the vehicle manufacturer at all times.**

Horrex is not responsible for damage caused in the following situations:

- Incorrect assembly or connection to the product;
- Damage to the product due to mechanical influences;
- Modifications to the product without the permission of the producer;
- Use for purposes other than described in the manual. .



### Info

*If you do not have enough technical knowledge for the installation, then have the product installed by a specialist.*

Note the following

- Whenever mistakes or malfunctions appear, contact a specialized maintenance company as soon as possible.
- Always check if the window is closed before driving the vehicle.
- Check the window for any damages (like stress cracks in the acrylic glass) before driving.
- Do not open the window during (heavy) rains or snow
- Close the window when it rains or snows
- Do not leave the window open when the vehicle is unattended

# 4

## Use

This product can only be used in vehicles with a wall thickness of 22 to 40 mm.

Use only in combination with the supplied parts or additional parts from Horrex. This can be found in chapter 2 of this manual.

It is not permitted to use the product for purposes other than the usage shown below.



# 5

## Installation

### 5.1.1 Instruction before installation

Check the wall thickness of your vehicle before installation. Please contact the vehicle manufacturer if you have questions. The window cannot be installed in vehicles with a wall thickness that is more than 40 mm. Filling material is necessary in vehicles with a lesser thickness.

When choosing a location for the window, pay attention to the following::

- Adjacent components (mounting – and reinforcement parts), cables and cabinets should not be damaged when cutting the hole for the product.
- There must be enough space, both on the interior and exterior of the vehicle, around the hole for the edges of the window and the mounting thereof.
- The window should lay flush to the surface it will be installed on. So please note any possible warps in the wall.
- Make sure that, in the sliding windows, the movable part is fixed towards the front of the window.

### 5.2 Making a hole for the window

- A: Measure and check the size of the window.  
Do not use the exterior part of the window for this, but the part with the depression.
- B: Draw a horizontal line with the help of a spirit level. Draw this line at the same height you want to place the window.
- C: Stick tape on the wall, adjacent to this line.
- D: Now, draw a vertical line down with the help with a hook block or spirit level. Mark the previously measured size on the wall in this manner.



**E:** Stick tape along all drawn lines. Afterwards, check the placement of the window and if this is in the right place.

**F:** Use a compass to draw a radius of 80 mm in the corner of the marked plane.

**G:** Repeat this for all corners.



**Caution!**

*When cutting the hole for the window in the wall, make sure that there are no power cables or pipes in the area where you want to cut. Always turn off the power in the vehicle while cutting.*

**H:** Use a saw (for example a jigsaw or multi-tool) to cut out the marked hole.

**I:** In case of a hollow wall, place reinforcements in the wall through wooden beams. Make sure that the wall does not warp or deform because of this.

**I:** Use a grater or file to make the edges of the window hole uniform. Afterwards, check if the window fits into the hole and file the hole if necessary.

## 5.2 Placing the window

**J:** Apply water resistant mounting kit to the outside of the window. Make sure that the kit is applied evenly. .

**K:** Press the window in the sawn out hole, until the edge presses against the wall. Remove excess kit with a damp towel. .



**Note!**

*You will need a second person to assist you during the next step.!*



L: Use the supplied braces and screws to fasten the window as displayed below. Make sure that the curved corners of the brackets can lock into the wall and that the screws fall into the outer groove of the profile. Evenly spread the braces and screws along the wall.

### 5.3 Use

M: When using the product for the first time, remove the film on the inside and the outside of the window.

N: Turn the handles a quarter turn in the direction shown..

O: Push open the window into the desired position. The window will stay in this position on its own. Whenever you want to close the window, push the window fully open and then lower it.

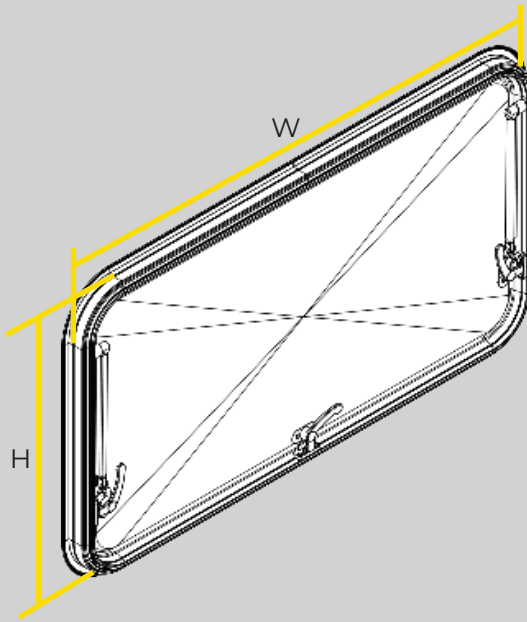
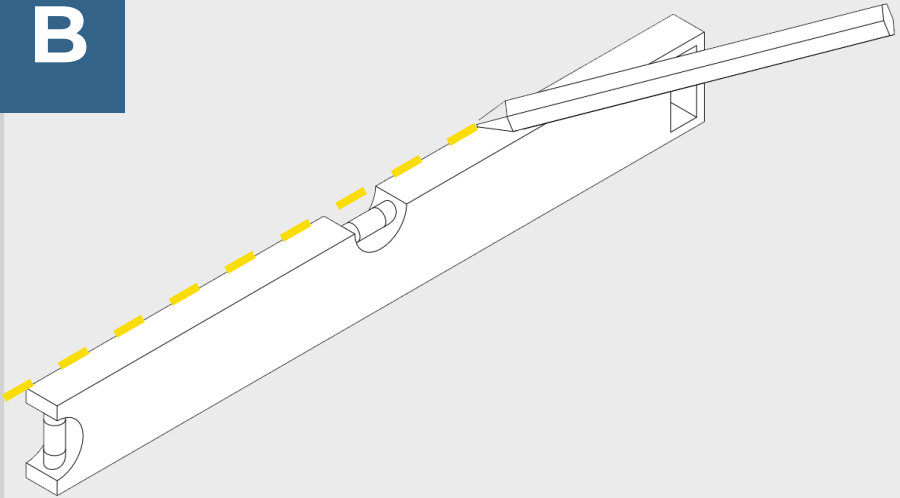
P: To fasten the window again, turn back the handles a quarter turn in the direction shown.

Q: It is possible to leave the window ajar. To do this, close the windows normally, but place the handles behind the locking block.

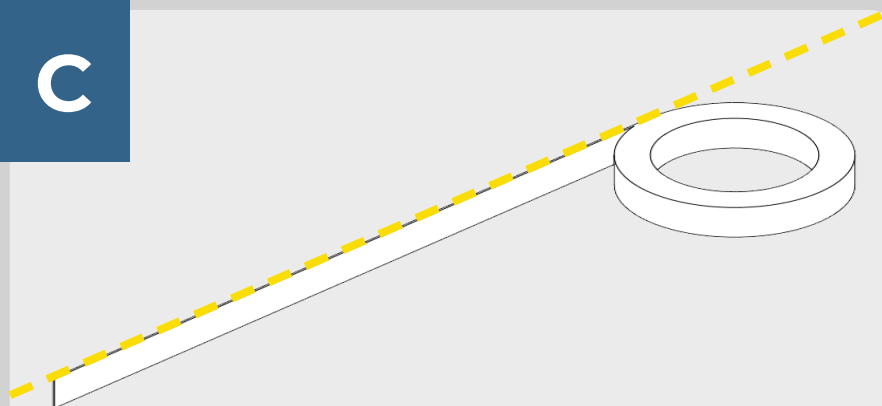


#### **Note!**

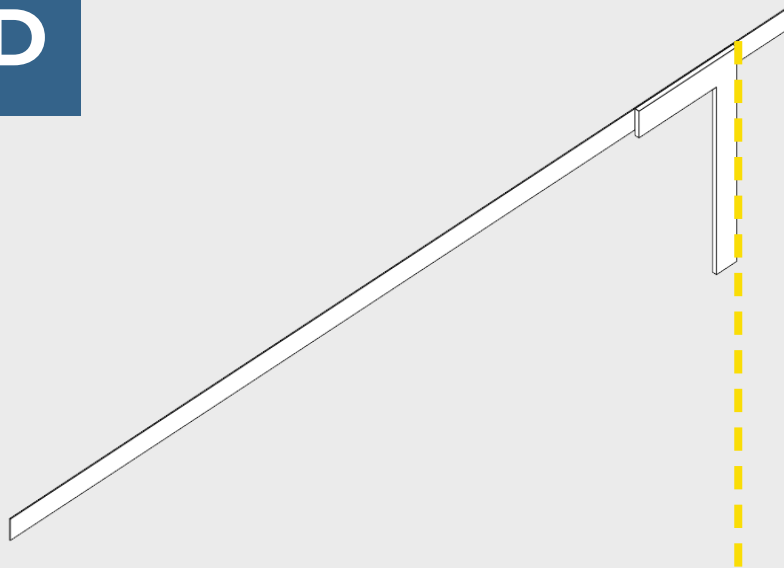
*Always close the windows completely before driving.*

**A****B**

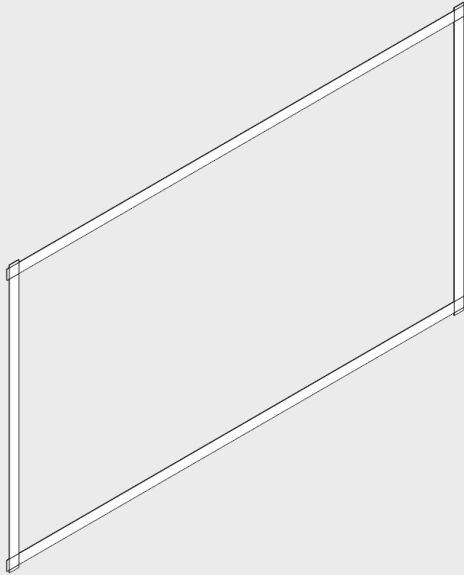
C



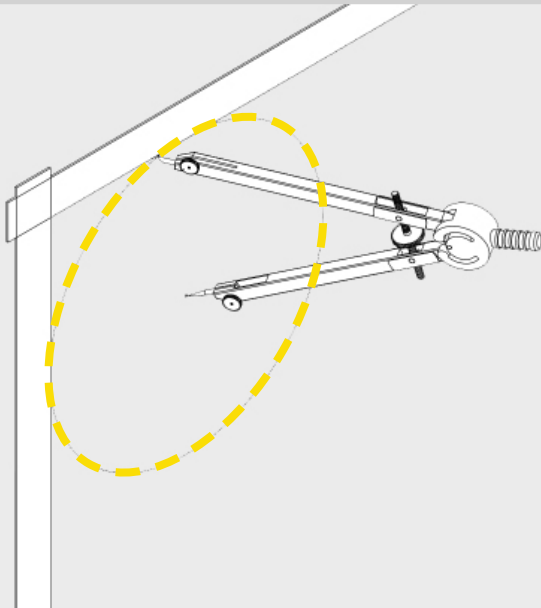
D



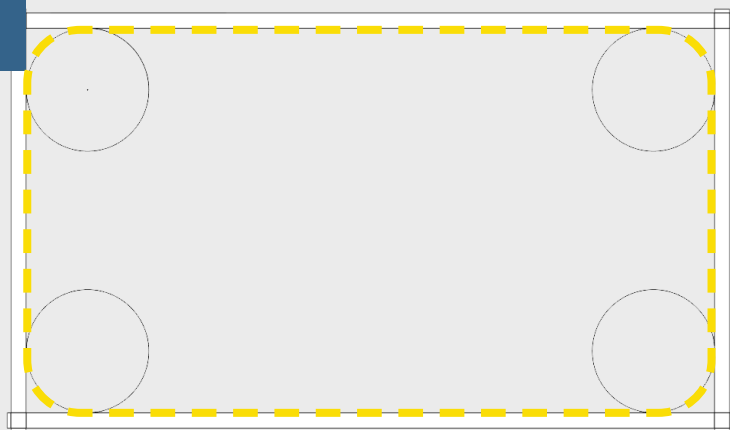
E



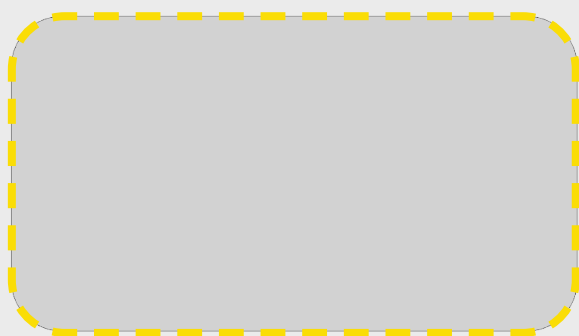
F

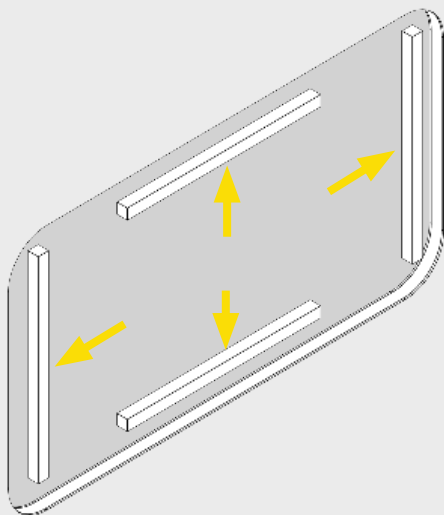
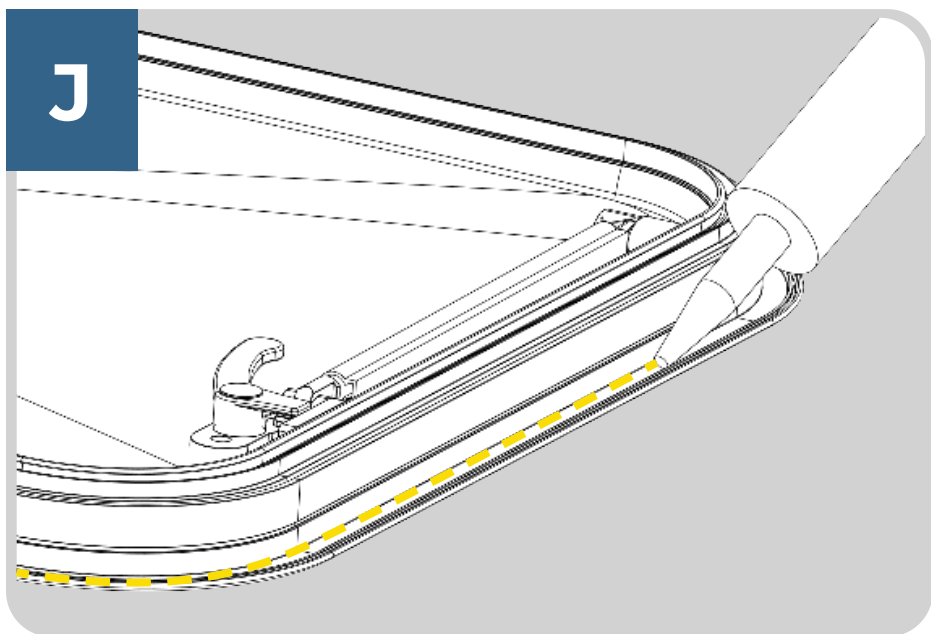


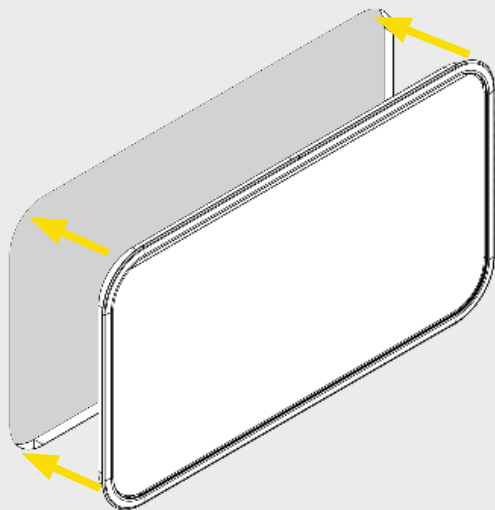
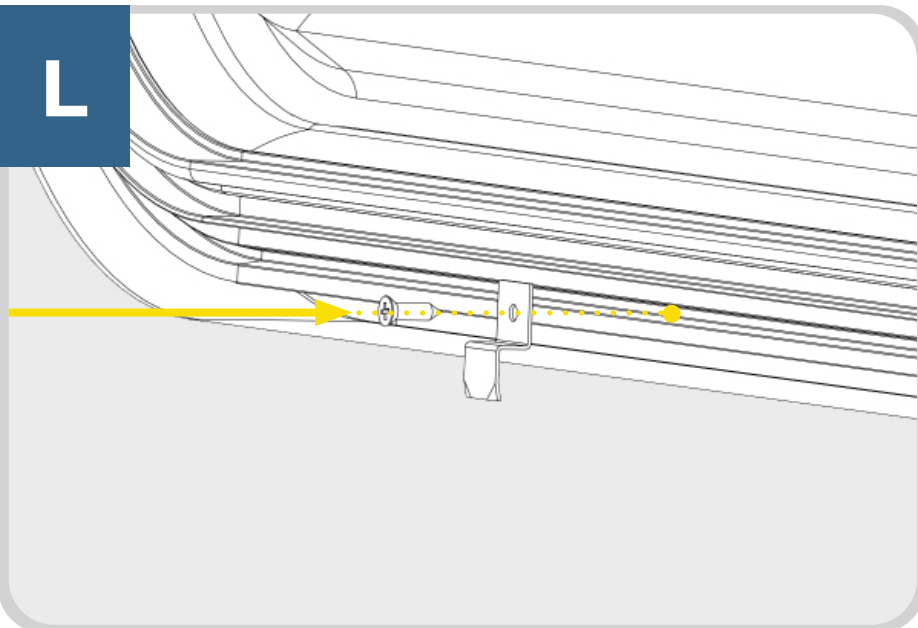
G



H

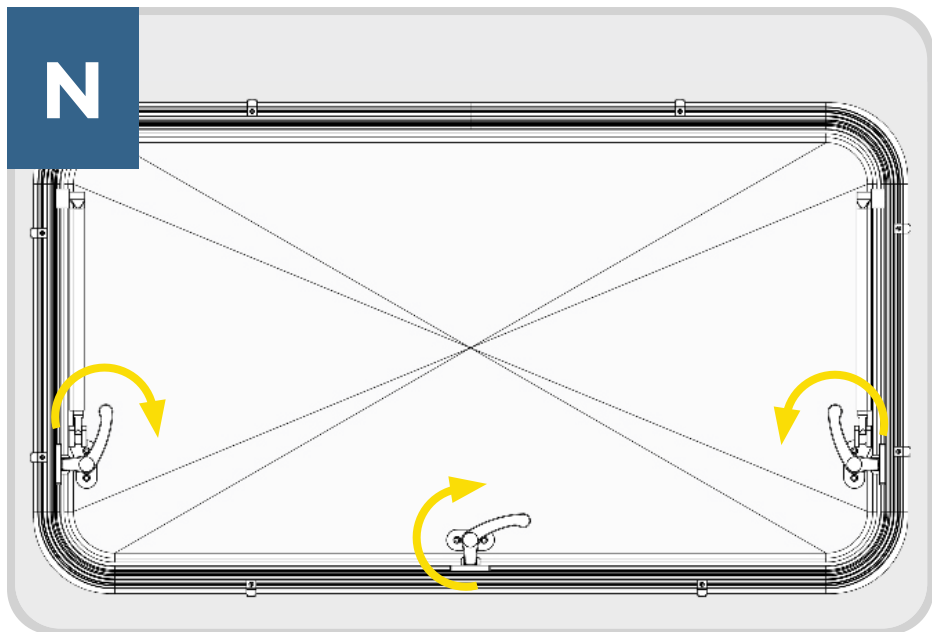


**I****J**

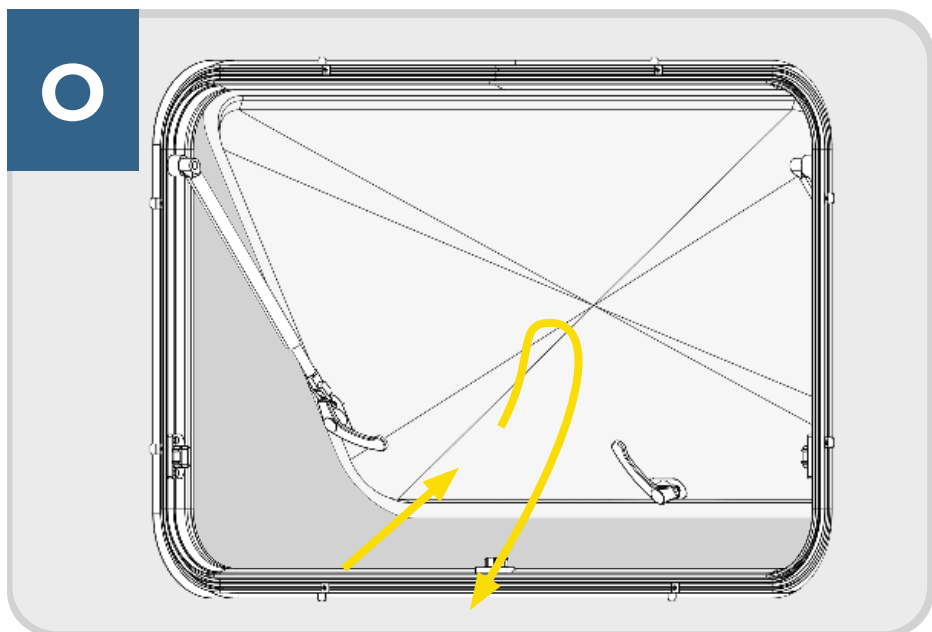
**K****L**



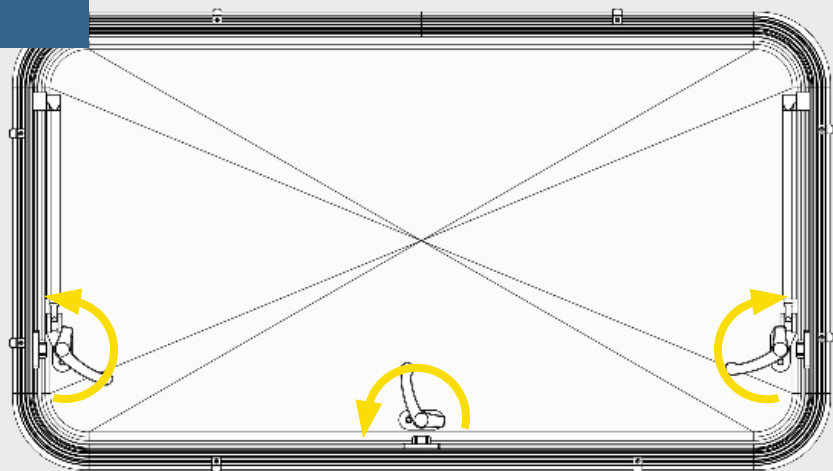
N



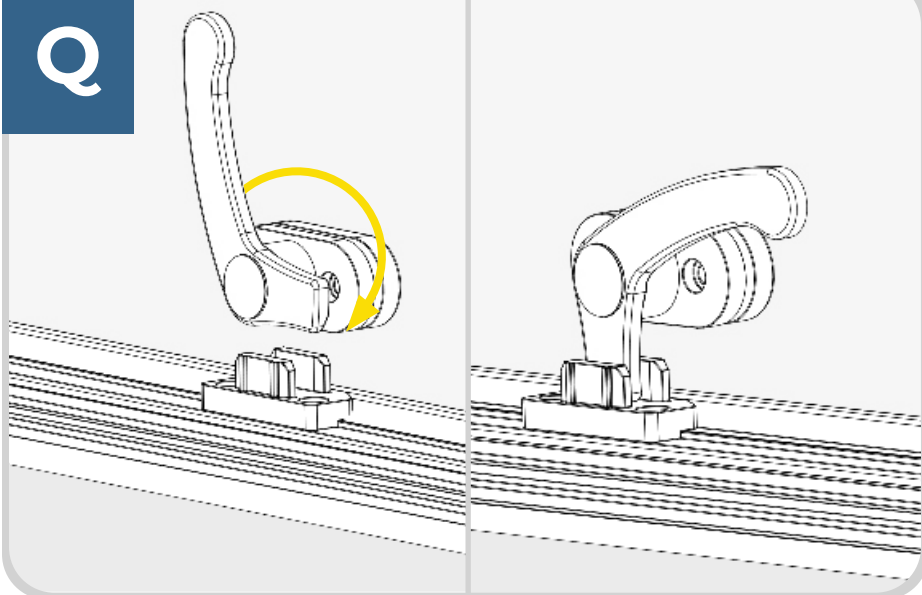
O



P



Q



# 6

## Warranty

A standard 2-year warranty applies to this product. If the product is defective, first contact your dealer or point of sales. Distributors of original Horrex products and accessories can be found on our website:

If you cannot find a solution, or if you have other questions, comments or suggestions, please send a message to: [info@horrex.nl](mailto:info@horrex.nl)

# 7

## Recycling

If possible, carefully separate the packaging material from this product and discard it in the appropriate bins for recycling.

If you want to dispose of the product itself, ask an employee at your local waste disposal station how to do this in accordance with applicable regulations.

Please do not dispose of the product with household, garden and kitchen waste.



# 8

## Technical data

### USE

The expansion panel can be opened and closed manually with 3 handles. The handles allow a crack position for light ventilation. Fastening of a larger window opening angle by means of telescopic braces with up to 3 positions, depending on the window height.

### MATERIAL SPECIFICATIONS

Colour: Black

Glass: Tinted scratch – and UV resistant double glass cast acrylic according to European standard E32 43R.

Frame: High strength powder-coated aluminium.





[www.drivingchangeint.com](http://www.drivingchangeint.com)

**Horrex BV**

Taanderijstraat 19  
3133 ET Vlaardingen

TEL +31(0)10 26 19 600

Horrex.nl  
info@horrex.nl