

RV Skylight

Installation Manual

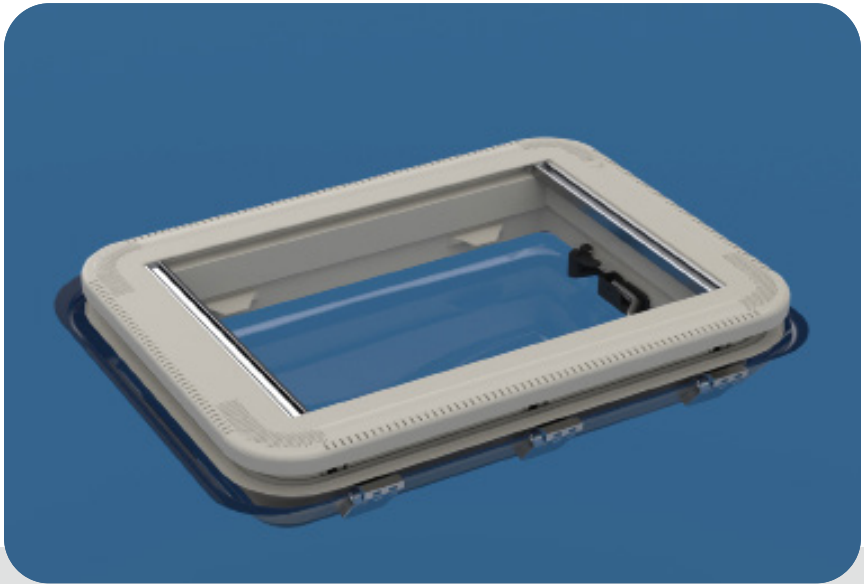


Table of content

	Package contents	4
1	Symbols	5
2	Options	5
3	Safety instructions	6
4	Application	7
5	Installation	8
5.1	<i>Check before installing</i>	8
5.3	<i>Installation</i>	9
5.4	<i>Use</i>	10
5.5	<i>Maintenance</i>	
6	Warranty	25
7	Recycling	25
8	Technical data	26



Package content



SCREW 1



SCREW 2



CLAMP



MEASURING TAPE



HOOK BLOCK



SCREWDRIVER



COMPASS



JIGSAW



FILLING MATERIAL



PENCIL



FILE



SPIRIT LEVEL



1

Symbols



Caution

Not following or incorrectly following these instructions can lead to serious injuries.



Note!

Not following or incorrectly following these instructions can lead to damage or reduced functionality of the product.



Info

Additional information about the product.

2

Options

Product variations

Skylight white (RAL 9010)

Skylight cream (RAL 9001)

Skylight white with 12V DC LED light (RAL 9010)

Skylight cream with 12V DC LED light (RAL 9001)

Accessories

Skylight clamps

Skylight fixing blocks



3

Safety instructions

Please follow the prescribed safety instructions from the vehicle manufacturer at all times.

Horrex is not responsible for damage caused by the following situations:

- Incorrect assembly or connection of the product;
- Damage to the product due to mechanical influences;
- Modifications to the product without the permission of the producer;
- Use for purposes other than described in the manual.



Caution!

Do not drive faster than 130 km/h (80 miles per hour) with a vehicle that has this product installed. This can lead to serious damage to the product. Detached parts can injure bystanders.



Info

If you do not have enough technical knowledge for the installation, then have the product installed by a specialist.

Note the following:

- Whenever mistakes or malfunctions appear, contact a specialized maintenance company as soon as possible.
- Always check if the skylight is closed before driving the vehicle.
- Check the skylight for any damages (like stress cracks in the acrylic glass) before driving.
- Do not open the skylight during (heavy) rains or snow
- Close the window when it rains or snows
- Do not leave the window open when the vehicle is unattended
- Keep the product free from snow and ice

4

Toepassing

This product can only be used in vehicles with a ceiling thickness from 26 until 60 mm.

The maximum permissible speed for when this product is installed is 130 km/hour (80 miles an hour). Whenever you drive faster than this speed, the product can create noise or become damaged.

Only use this product in combination with supplied parts or additional parts of Horrex. These can be found in chapter 2 of this manual.

It is not permitted to use this product for other purposes than described below and purposes intended by Horrex.



5

Installation

5.1 Check before installing

Check the thickness of the ceiling of your vehicle before installing. Please contact the vehicle manufacturer if you have questions.

When choosing a location for the skylight, keep the following in mind:

- Adjacent components (mounting – and reinforcement parts), cables and cabinets should not be damaged when cutting the hole for the product.
- There must be enough space, both on the interior and exterior of the vehicle, around the hole for the edges of the skylight and the mounting thereof.
- The skylight should lay flat on the surface it will be installed on. So please note any possible warps in the roof.
- Please note that the hinge on the skylight should always be assembled while facing the front – or side of the vehicle.

5.2 Installation (pag. 12 (A) until pag. 20 (S))

A: Draw a line using a ruler or a spirit level. Make sure that the line is parallel or perpendicular to the wall of the vehicle.



Caution!

Turn off the electricity to the vehicle before and during installation.

B: Determine where the skylight will be installed and draw a rectangular measuring 502 x 702 mm with help from the line on the wall.



Note!

When determining the location of the skylight, consider cabling. Make sure that no cables run through the hole to be cut.

C: Use the compass to give the corner a radius of 50 mm.

D: Saw along the drawn line and make a hole in the ceiling.

E: When necessary, reinforce the hole around the edges with some slats of wood.

F: Use a file to make the edges uniform. Meanwhile, check if the skylight fits the hole.

G: In the case of the skylight with LED lighting; make sure that there is a power cable traveling towards the hole where the skylight will be.

H: Apply sealant to the edges (see picture). Make sure that there is no sealant on the transparent parts of the product. Use a sealant that is suitable for plastic and is weatherproof.

I & J: Place outside piece of the skylight in the hole, from the exterior of the vehicle. Press down on the skylight until it is flat against the roof of the vehicle.

K: Take one of the skylight clamps and fasten this to the skylight with two screws type 2. Make sure that the clamp is pressed tightly against the ceiling.

L: Repeat the previous steps for the other clamps.

M: Fasten one of the skylight clamps with two screws type 1.

N: Repeat the previous step for the other clamps.

O: In the case of the skylight with LED lighting; connect the power wires to the local power supply.



Note!

The product is suitable for 12V DC power, connect it only when the wiring in the vehicle corresponds to this.



P: Place the interior piece of the skylight over the clamps.

Q: Fasten the interior piece with a screw type 1 in one of the clamps in the designated hole.

R: Repeat this for the other clamps.

S: Click the finishing plates into the interior piece.

5.3 Use (pag. 20 (T) until pag. 24 (BB))

T: Use the pull bar of the mesh or blind to open and close the cassettes in the skylight. The pull bar can be moved stepless.

U: Press the red buttons on the handles and pull these towards each other.

V: Grab the middle part of the pull bar and pull it down. Make sure that the mesh and blind are pulled aside.

W: Use the pull bars to open the window.

X: To open the window halfway, pull the pull bar forwards and place this on the two hooks (see picture).

Y: In addition, the window can be left ajar. Close the handles and use the lowest slot in the handles to lock these.

Z: To close the window, pull the pull bar down. Make sure that the handles are opened and that the window fits completely on the rest of the housing.

AA: Turn the handles outwards until you hear a click sound. Make sure that the rear cutout is used to lock the window (see picture).

BB: Push the pull bar against the window again until it clicks into place. The pull bar is now safely out of the way.

5.4 Maintenance

To keep the product clean, use a soft, damp cloth with mild soap.

Use glass cleaner for the transparent parts of the product to prevent stripes.

Regularly clean the product on the outside as well.

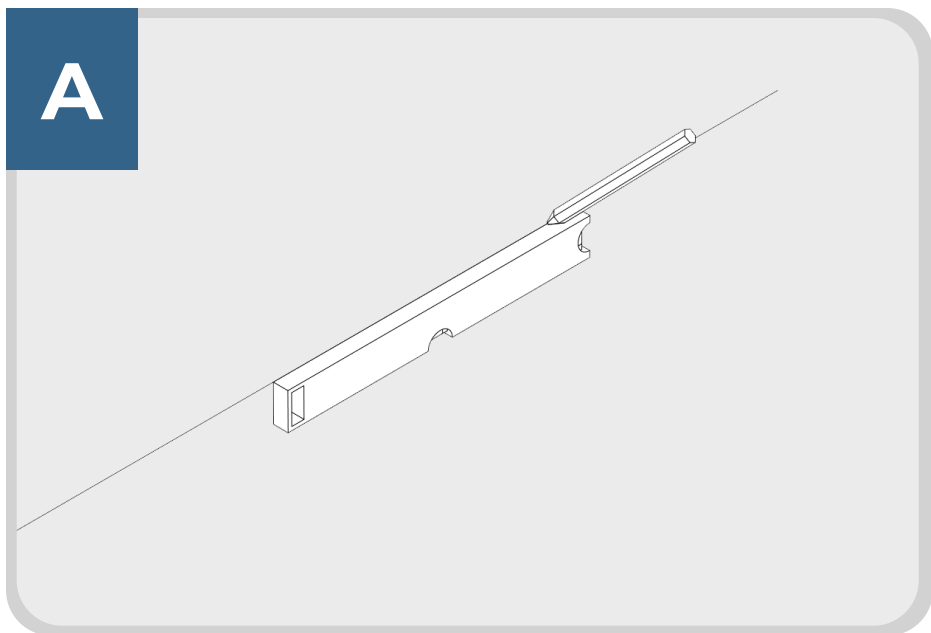


Info

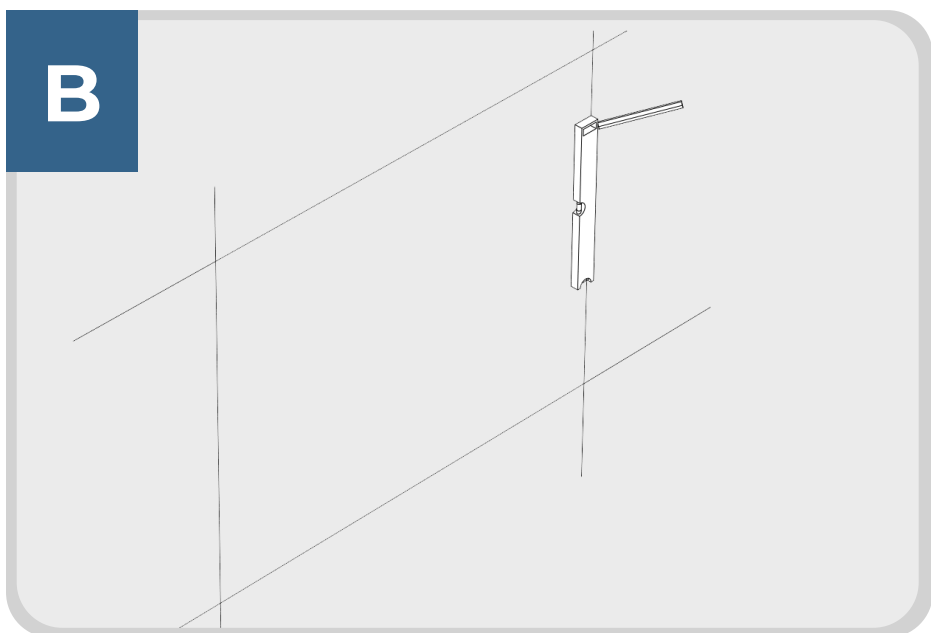
Do not use sharp objects while cleaning the mesh or blinds to prevent holes and damages.



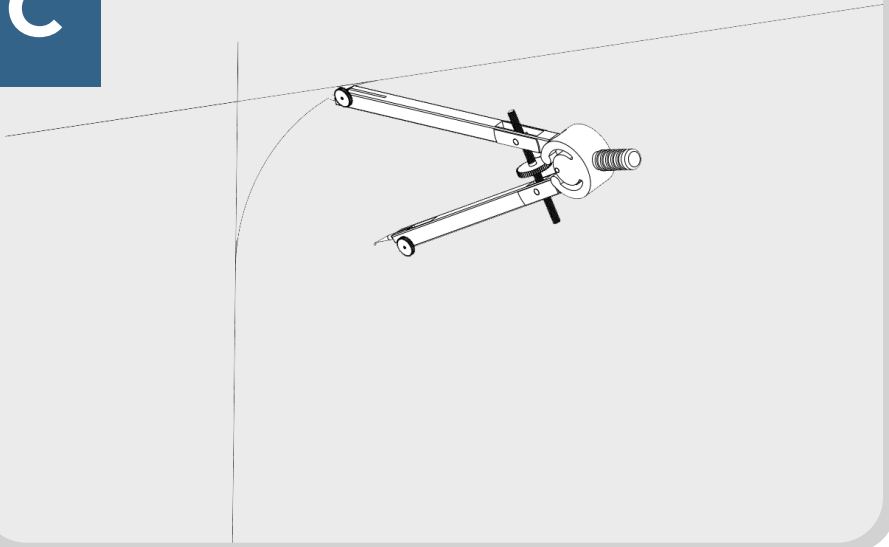
A



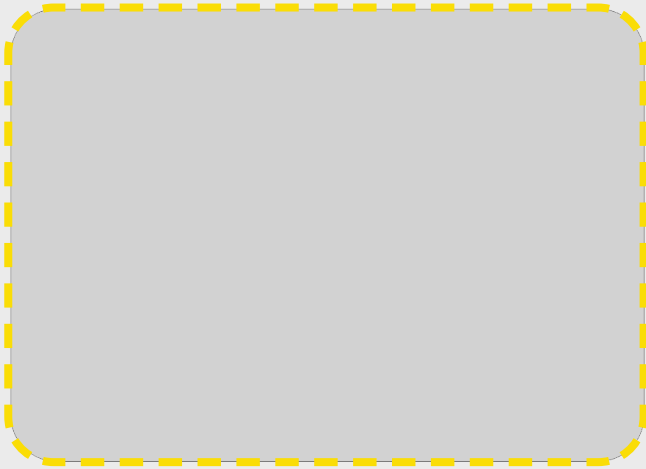
B



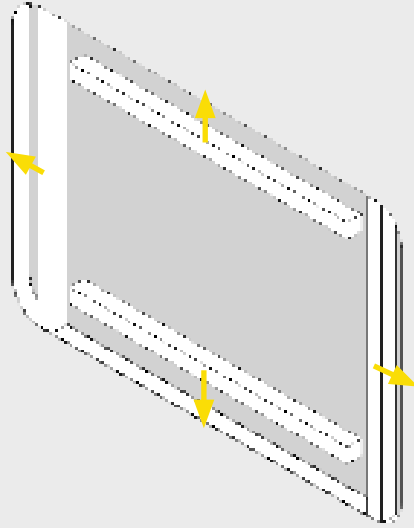
C



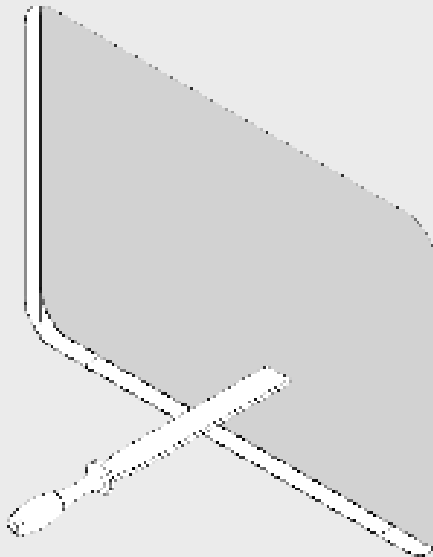
D



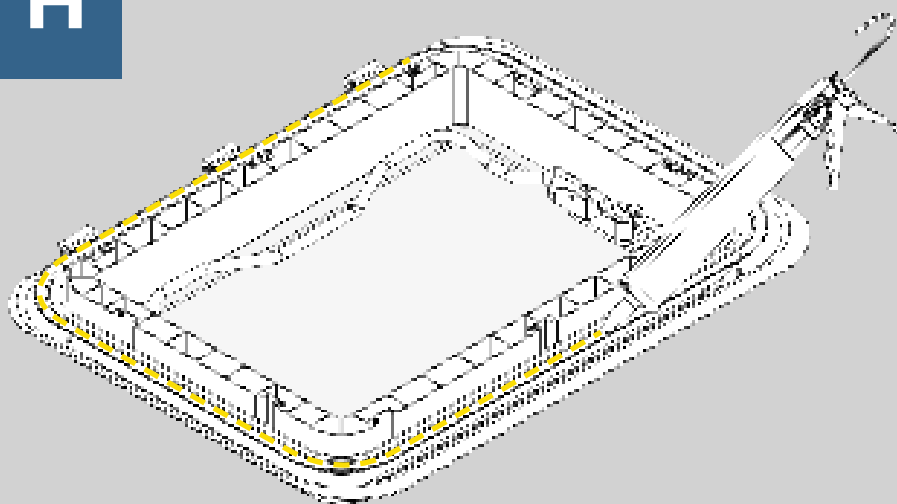
E



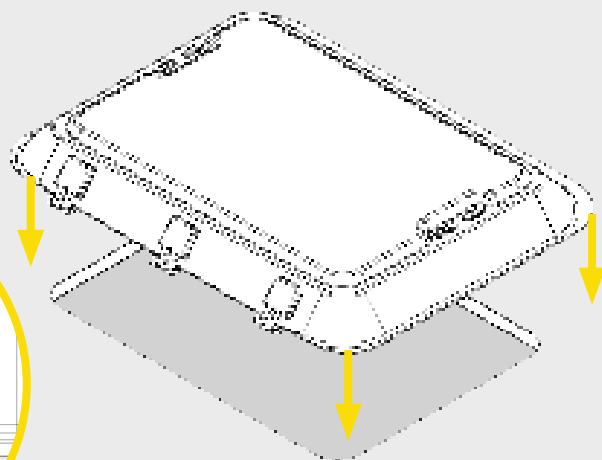
F



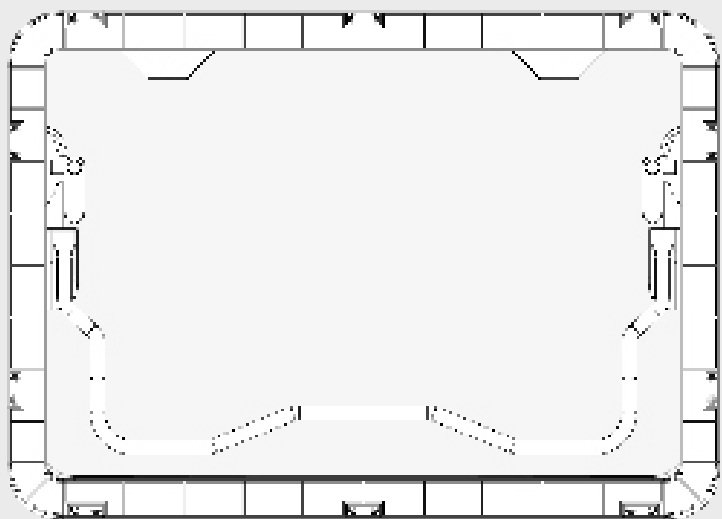
H



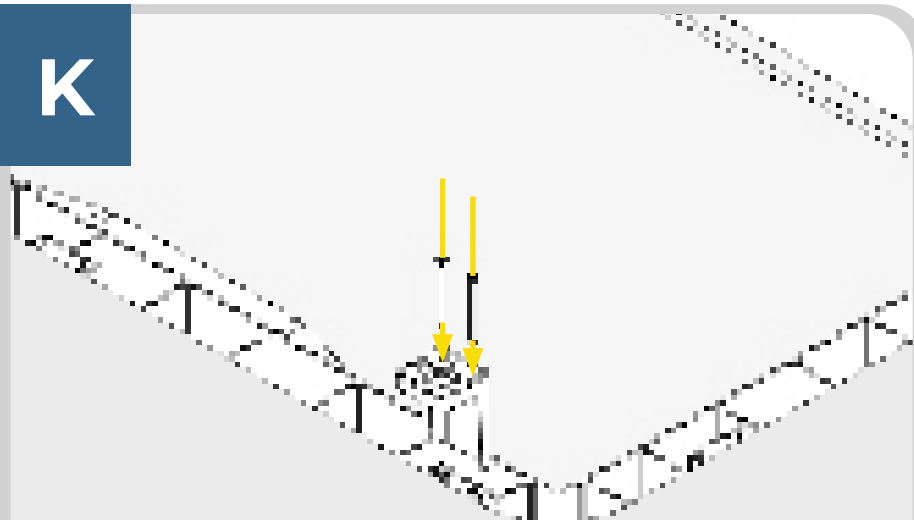
I

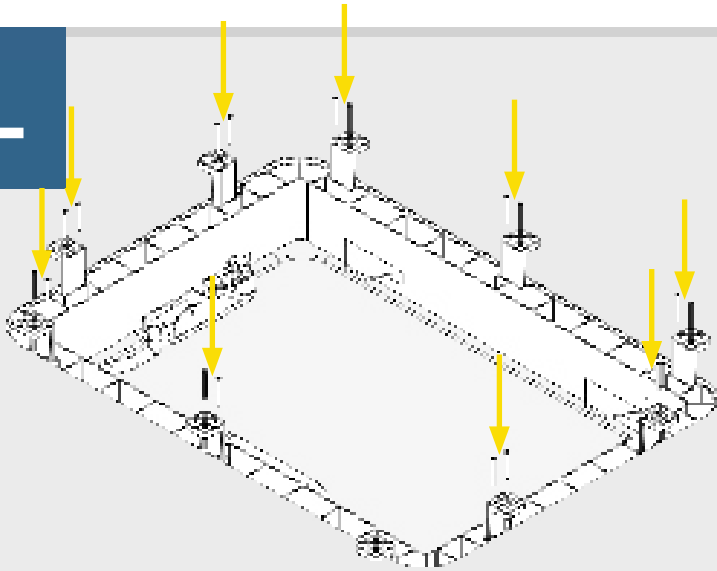
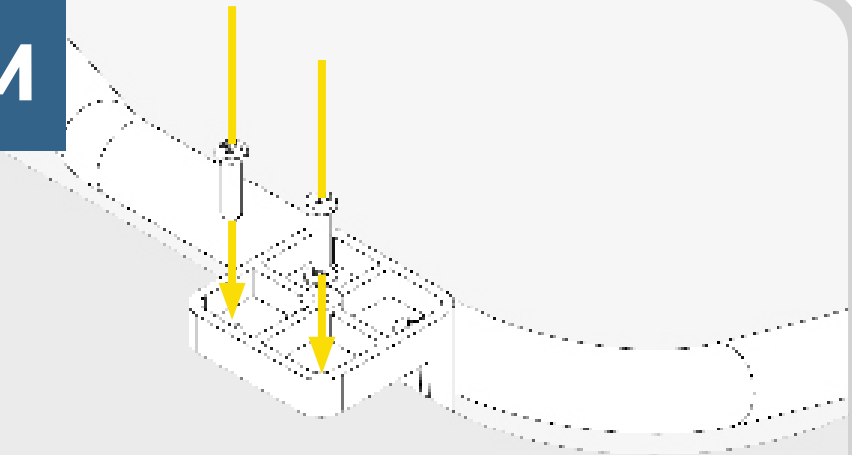


J

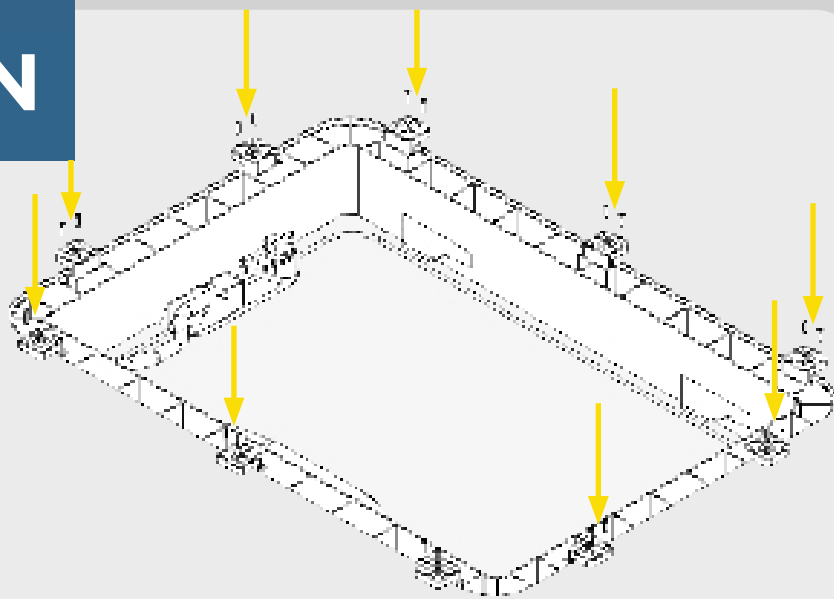


K

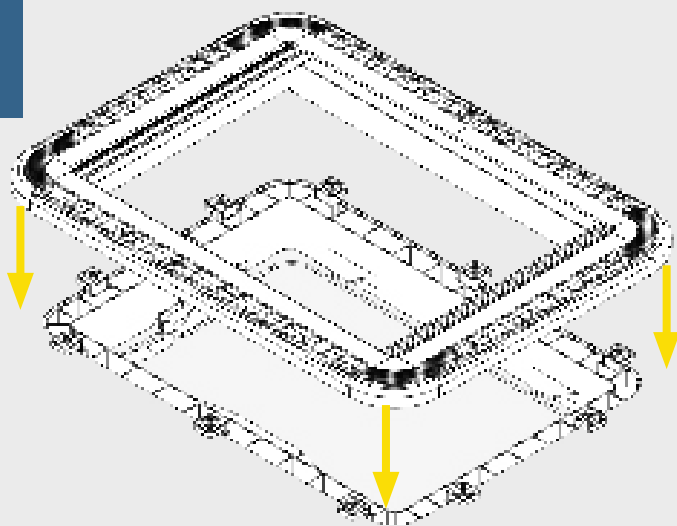


L**M**

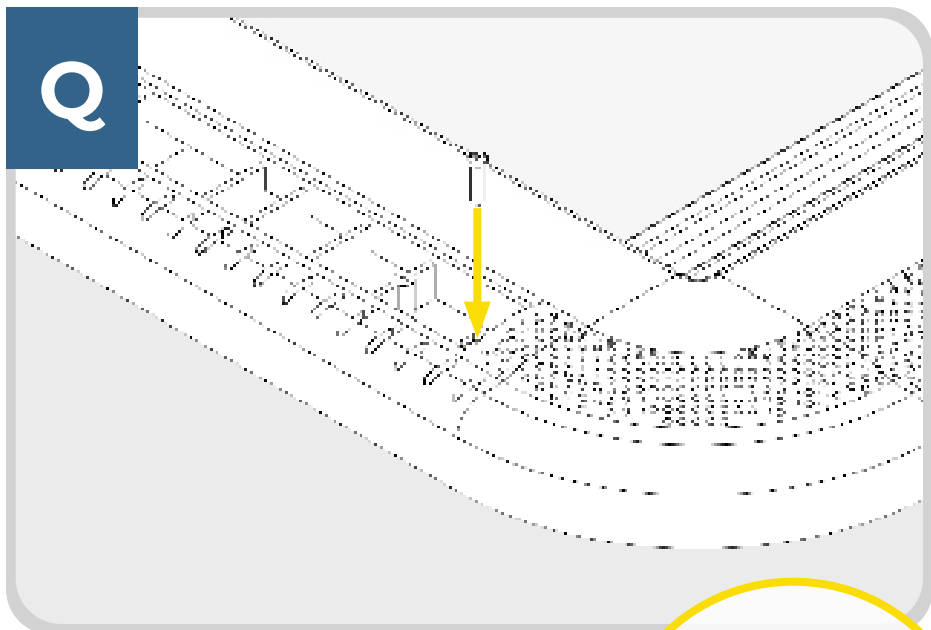
N



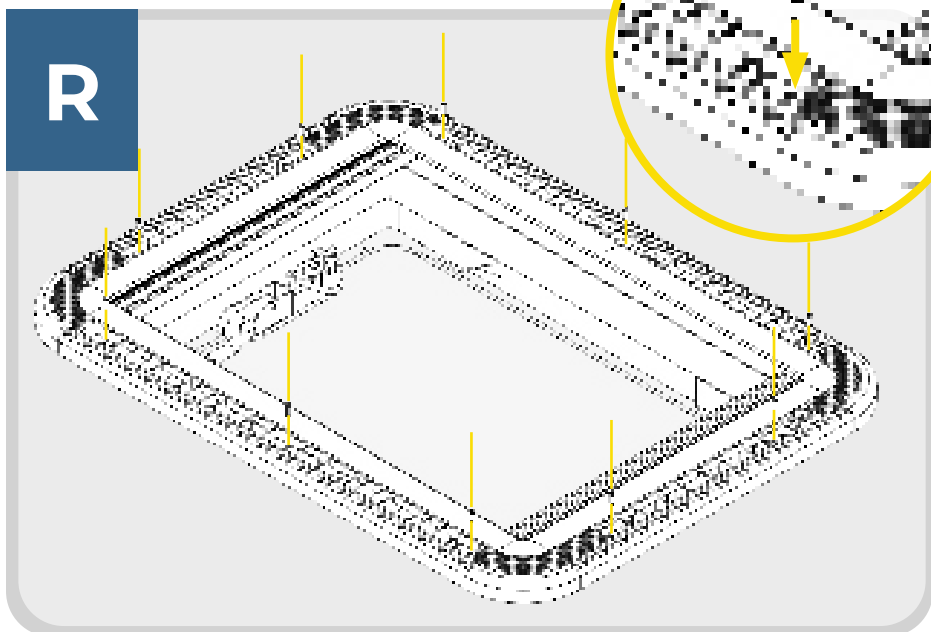
P



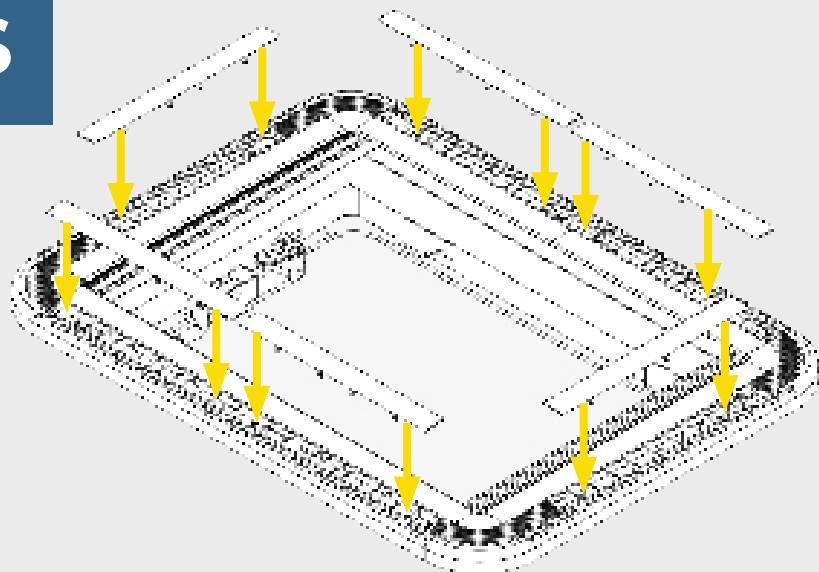
Q



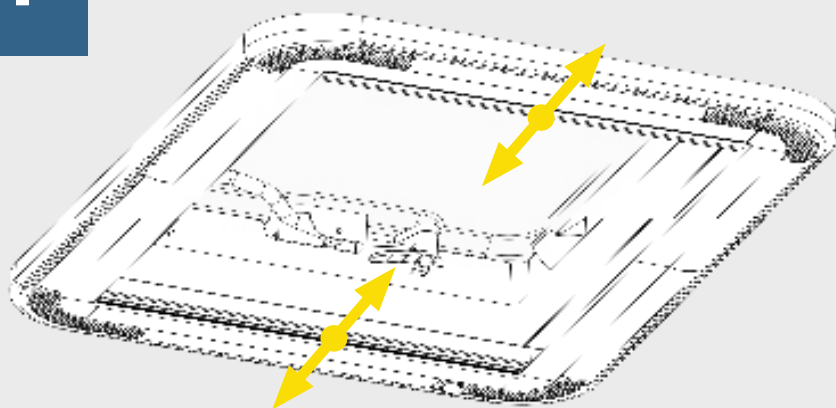
R



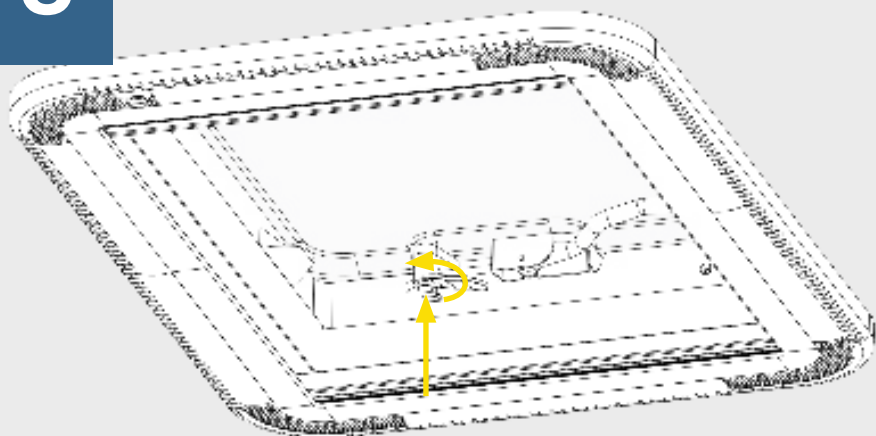
S



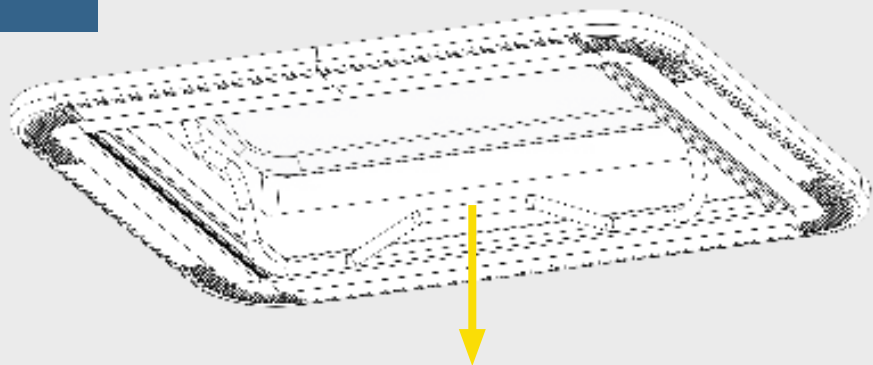
T



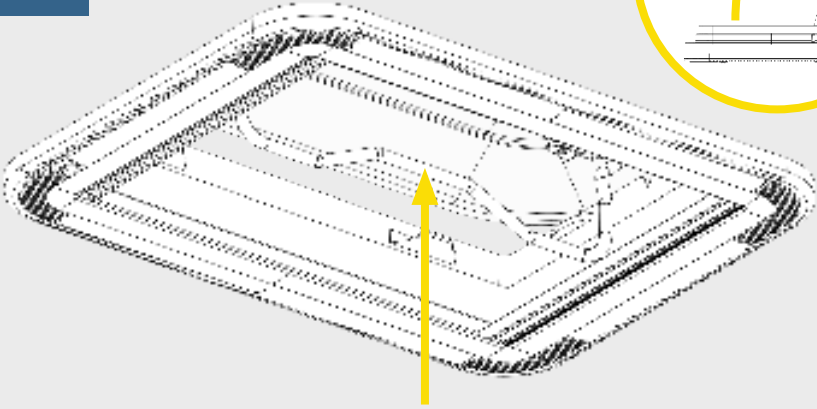
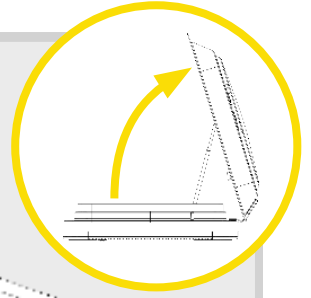
U



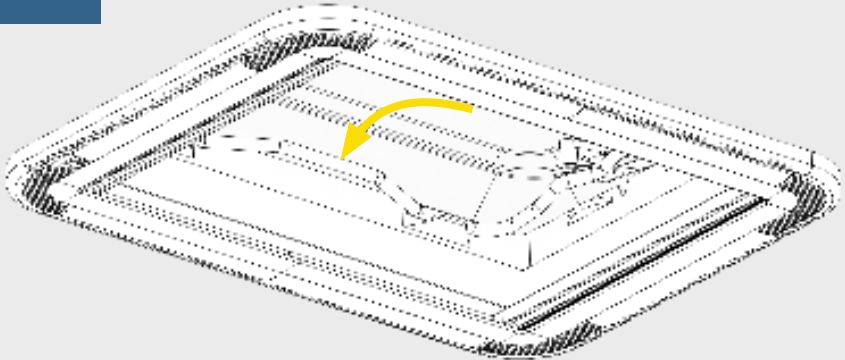
V



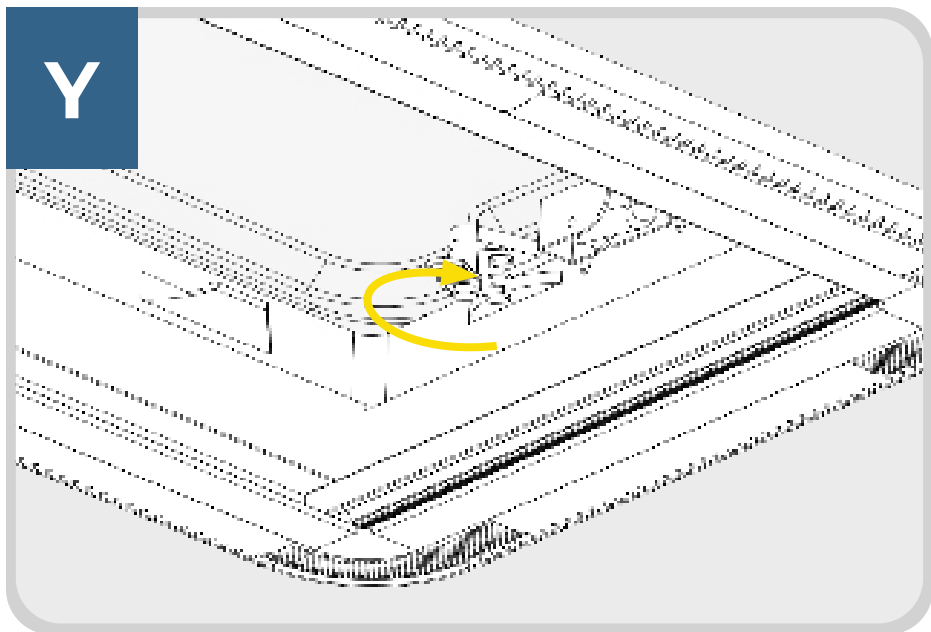
W



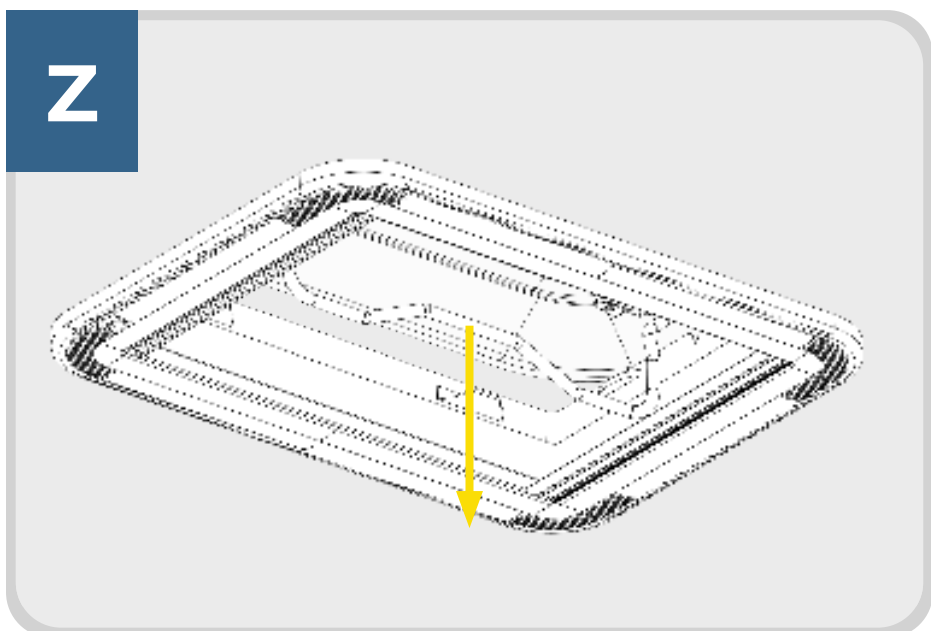
X



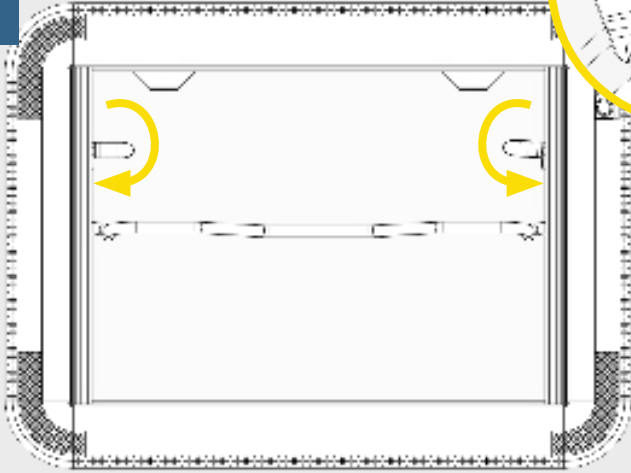
Y



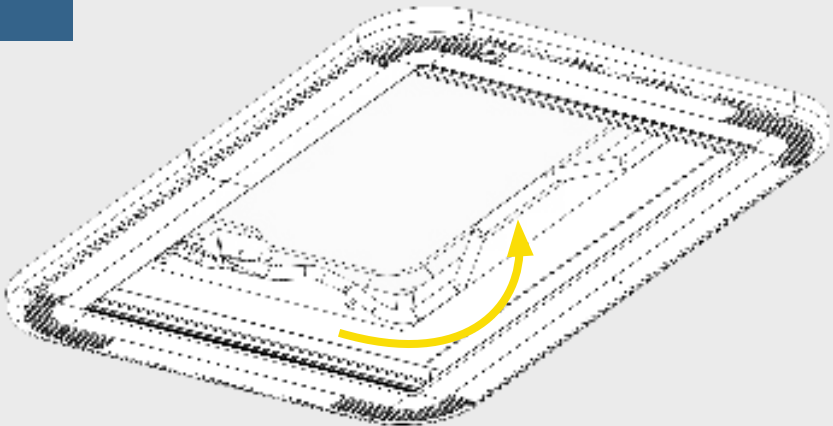
Z



AA



BB



6

Warranty

A standard 2-year warranty applies to this product. If the product is defective, first contact your dealer or point of sale.

Distributors of original Horrex products and accessories can be found on our website:

<https://www.horrex.nl/consumers>

If you cannot find a solution, or if you have other questions, comments or suggestions, please send a message: info@horrex.nl

7

Recycling

If possible, carefully separate the packaging material from this product and discard it in the appropriate bins for recycling.

If you want to dispose of the product itself, ask an employee at your local waste disposal station how to do this in accordance with applicable regulations.

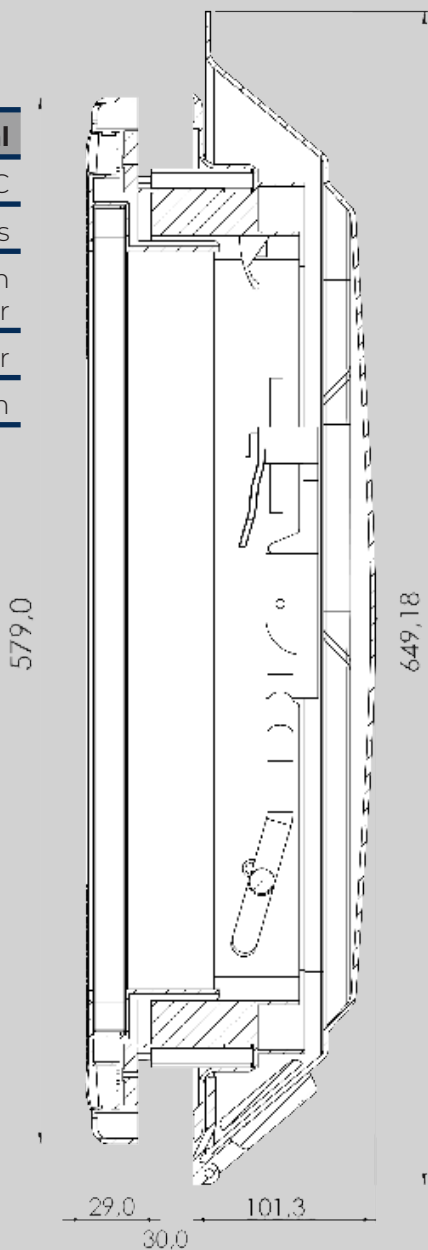
Please do not dispose of this product with household, garden and kitchen waste.



8

Technical
data

Component	Material
Frame	PVC
Cap	Acrylics
Blackout material	PET with aluminum layer
Insect mesh	Polyester
Pull bar	Aluminum





www.drivingchangeint.com

Horrex BV

Taanderijstraat 19
3133 ET Vlaardingen

TEL +31(0)10 26 19 600

Horrex.nl
info@horrex.nl