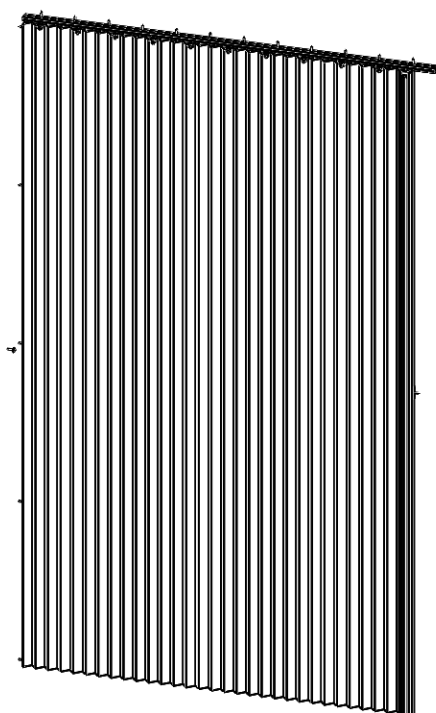




Roomdivider Basic Installation Manual



Horrex b.v.
Van Hennaertweg 27
2952 CA Alblasterdam
The Netherlands
W: www.horrex.nl
E: info@horrex.nl

Contents of the box



1x Magnet counterplate cover



1x Guiding rail



1x Magnet counterplate

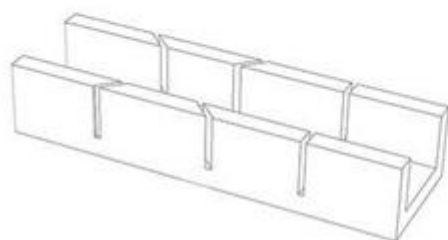
1x Roomdivider Basic Kit



1x Screw type I
5x Screw type II

2,9x19 Sunkhead
2,9x19 Panhead

Tools required



Saw box



Screw driver PZ1

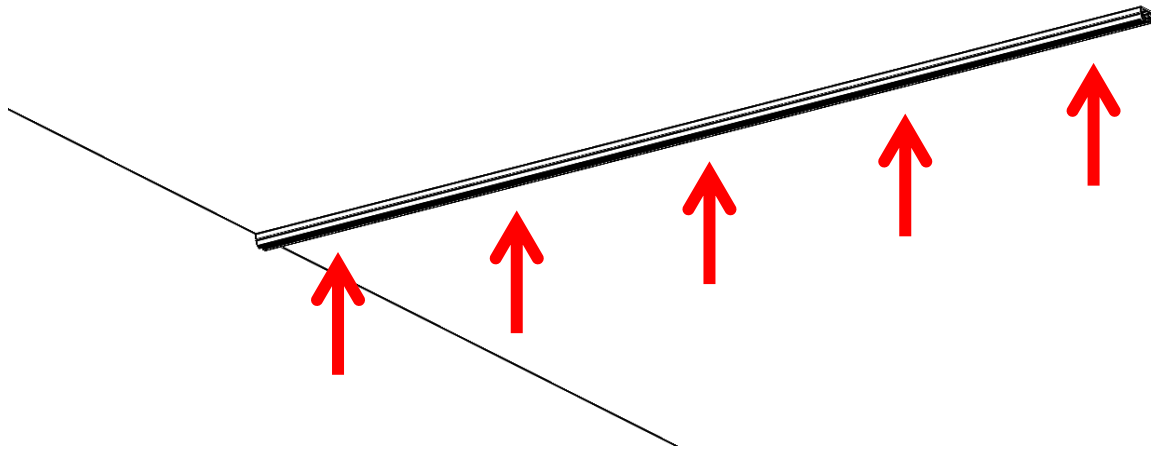


Saw

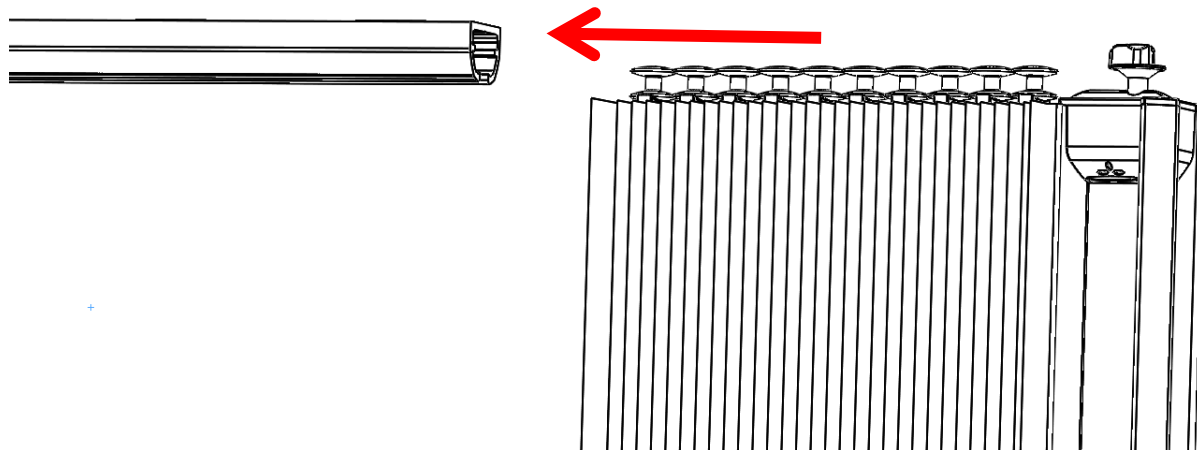


Tape measurer

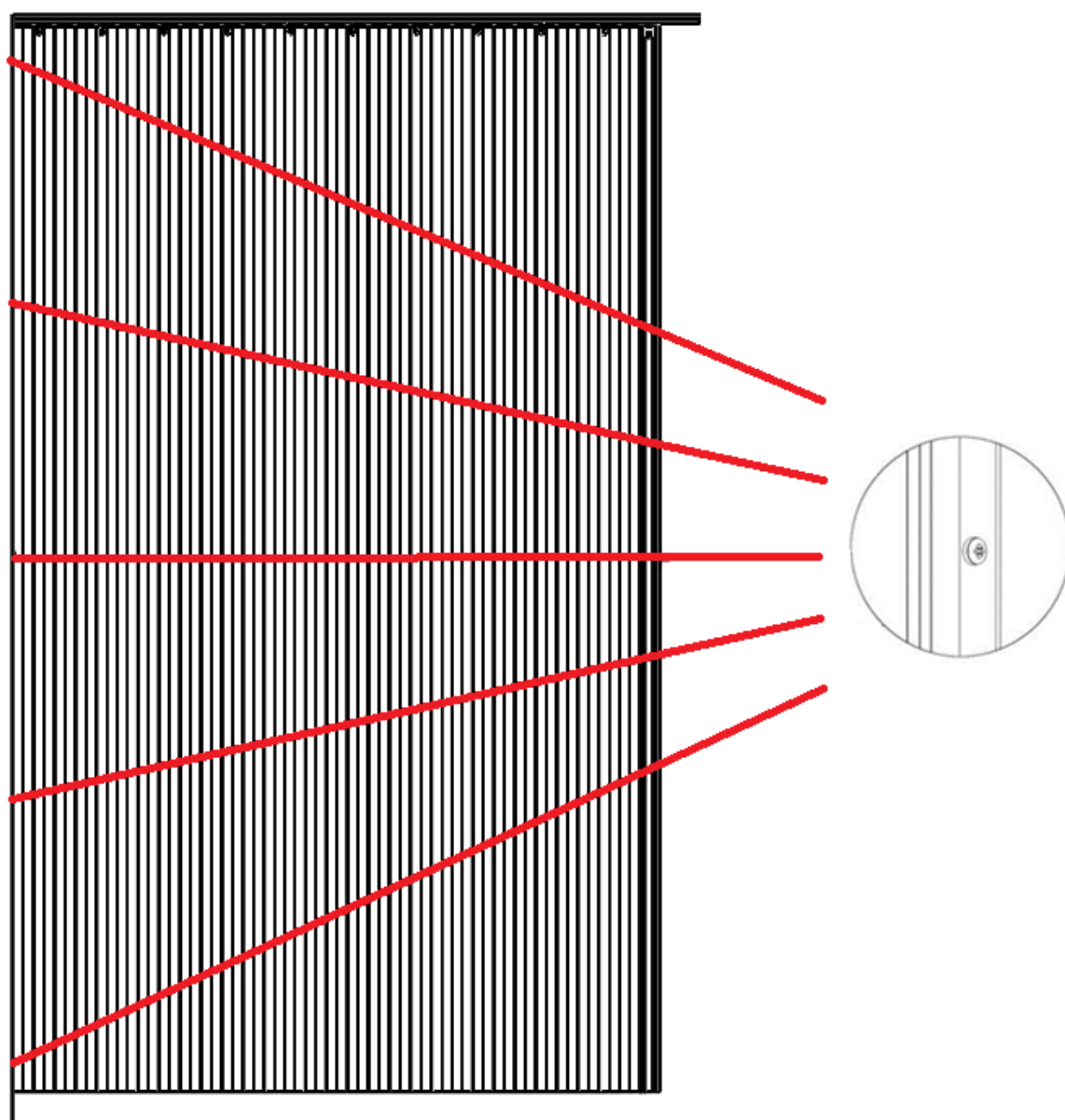
1. Mount the top guiding rail to the ceiling using the pre-mounted screws.



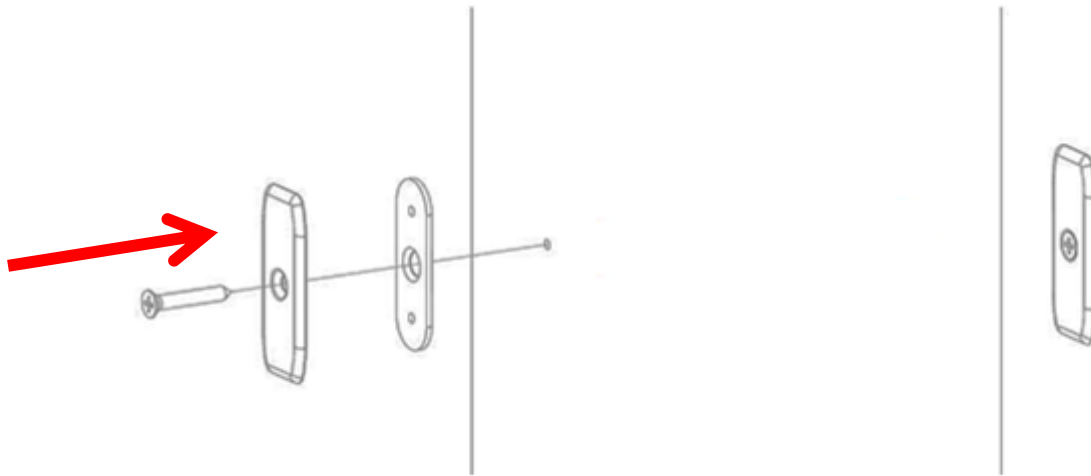
2. Slide the Roomdivider Basic Kit into the top guiding rail.



3. Mount the Roomdivider Basic Kit to the wall using 5x screw type II. Space the screws equally.
4. Secure the wrap + button under the center screw.



5. Mount the magnet counterplate and cover with screw type I on the wall directly across the magnets in the pullbar



6. Finished!

